



PAINT
zoomTM
DELUXE

OPERATING INSTRUCTION MANUAL
PLEASE READ THE MANUAL & SAFETY INSTRUCTIONS
BEFORE USE.

Please retain for future reference.

CONGRATULATIONS

Congratulations on purchasing the Paint Zoom™ Deluxe unit, the new paint miracle breakthrough. Get rid of brushes, rollers and trays — and start painting the easy way!

Now you can paint like a pro — instantly transform any room into a magnificent space... and have fun doing it! Paint Zoom's™ advanced spray technology gives you beautiful, smooth, 100% coverage. Perfect for flat walls or tricky textured surfaces like stucco, brick, paneling, crowne moulding. No more drips, spills or splatters — just pull the trigger and paint!

- *Simple one-touch operation cuts your painting time in half and is easy to use*
- *Advanced spray technology delivers superior, one-coat coverage*
- *Eliminates the need for rollers, brushes and paint trays*
- *Ultra light and portable*
- *Industrial strength, commercial grade motor delivers 650 watts of spraying power*
- *Reach tight corners and angles with 3-way direct dial spray head*

*For further details about painting instructions, please visit our web site at:
www.paintzoom.com/demovideo*

TABLE OF CONTENTS

SAFETY	1
IMPORTANT ELECTRICAL INFORMATION	2
PRODUCT COMPONENTS	3
IMPORTANT: SELECTING PAINT	5
UNIT SET UP	6
MATERIAL PREPARATION	7
THINNING CHART	8
THINNING	9
SURFACE & JOB PREPARATION	10
FILLING THE PAINT CONTAINER	11
ALIGNING THE SUCTION TUBE	12
HOW TO SPRAY PROPERLY	13
STARTING TO SPRAY	14
TECHNIQUE	16
TOP TIPS	17
CLEAN UP	18
TROUBLE SHOOTING	19
WARRANTY	20

SAFETY INSTRUCTIONS

⚠️ WARNING! FIRE AND EXPLOSION HAZARD ⚠️

- **CAUTION: TO REDUCE THE RISK OF ELECTRIC SHOCK OR INJURY, DO NOT EXPOSE TO RAIN; STORE INDOORS.**
- The materials used with this spray gun (paint, thinners, etc) may contain hazardous, harmful, explosive or corrosive materials. ALWAYS COMPLY WITH THE SAFETY INSTRUCTIONS ISSUED WITH THIS PRODUCT AND THE MATERIAL BEING USED.
- Only use paints, solvents or other materials with a flash point of 73°F (22C) or higher.
- Always ensure there is adequate ventilation when spraying.
- NEVER spray near an open flame, including an appliance pilot flame.
- NEVER smoke near the spray gun, paint or other flammable objects.
- Always disconnect the unit from the electrical outlet when cleaning the spray gun.
- Always ensure the spray area is safe and free from all debris that may present a fire or fall hazard.
- NEVER, under any circumstances, point the spray gun at another person or animal. In the event of an injury, seek immediate medical attention.
- NEVER allow children or unauthorized users to operate or play with the spray equipment.
- Always read the paint manufacturer's thinning instructions before use.
- Always wear a protective face mask when spraying. We also recommend wearing gloves, goggles and overalls.
- You must clean the spray gun thoroughly after each use.
- Use only genuine manufacturer replacement parts.
- Use the spray equipment only as detailed in these instructions.
- Do not use the air hose or power cord to move the Paint Zoom™ unit.
- Check the hoses, hose connectors and power cord frequently. Any worn or damaged parts should be replaced immediately.
- This Paint Zoom™ Deluxe unit is recommended for **household use only**.
- This Paint Zoom™ Deluxe unit is not intended for use by children or persons with reduced physical, sensory or mental capabilities, or lack of experience and knowledge.
- **SAVE THESE INSTRUCTIONS.**

HAZARD: EXPLOSION OR FIRE

Solvent and paint fumes can explode or ignite.

Severe injury or property damage can occur.

PREVENTION:

- Provide extensive exhaust and fresh air to keep the air within the spray area free from accumulation of flammable vapors.
- Do not use Paint Zoom™ or place paint or other flammable materials near ignition sources such as static electric sparks, open flames, pilot lights, electrical appliances, or hot objects. Connecting or disconnecting power cords or working light switches can make sparks.

HAZARD : HAZARDOUS VAPORS

Paints, solvents, insecticides, and other materials can be harmful if inhaled or if they come in contact with the body. Vapors can cause severe nausea, fainting, or poisoning.

PREVENTION:

- Use a respirator or mask. Read all instructions supplied with the mask to be sure it will provide the necessary protection.
- Wear protective eyewear.
- Wear protective clothing as required by coating manufacturer.

HAZARD: GENERAL

Can cause severe injury or property damage.

PREVENTION:

- Read all instructions and safety precautions before operating equipment.
- Follow all appropriate local, state, and national codes governing ventilation, fire prevention, and operation.
- The United States Government Safety Standards have been adopted under the Occupational Safety and Health Act (OSHA). These standards, particularly part 1910 of the General Standards and part 1926 of Construction Standards should be consulted.

IMPORTANT ELECTRICAL INFORMATION

• EXTENSION CORDS

Your Paint Zoom™ Deluxe unit is supplied with a power cord that is 6 feet long. Make sure your power cord is in good condition. When using an extension cord be sure to use a 16 gauge or heavier cord.

• POLARIZED PLUG

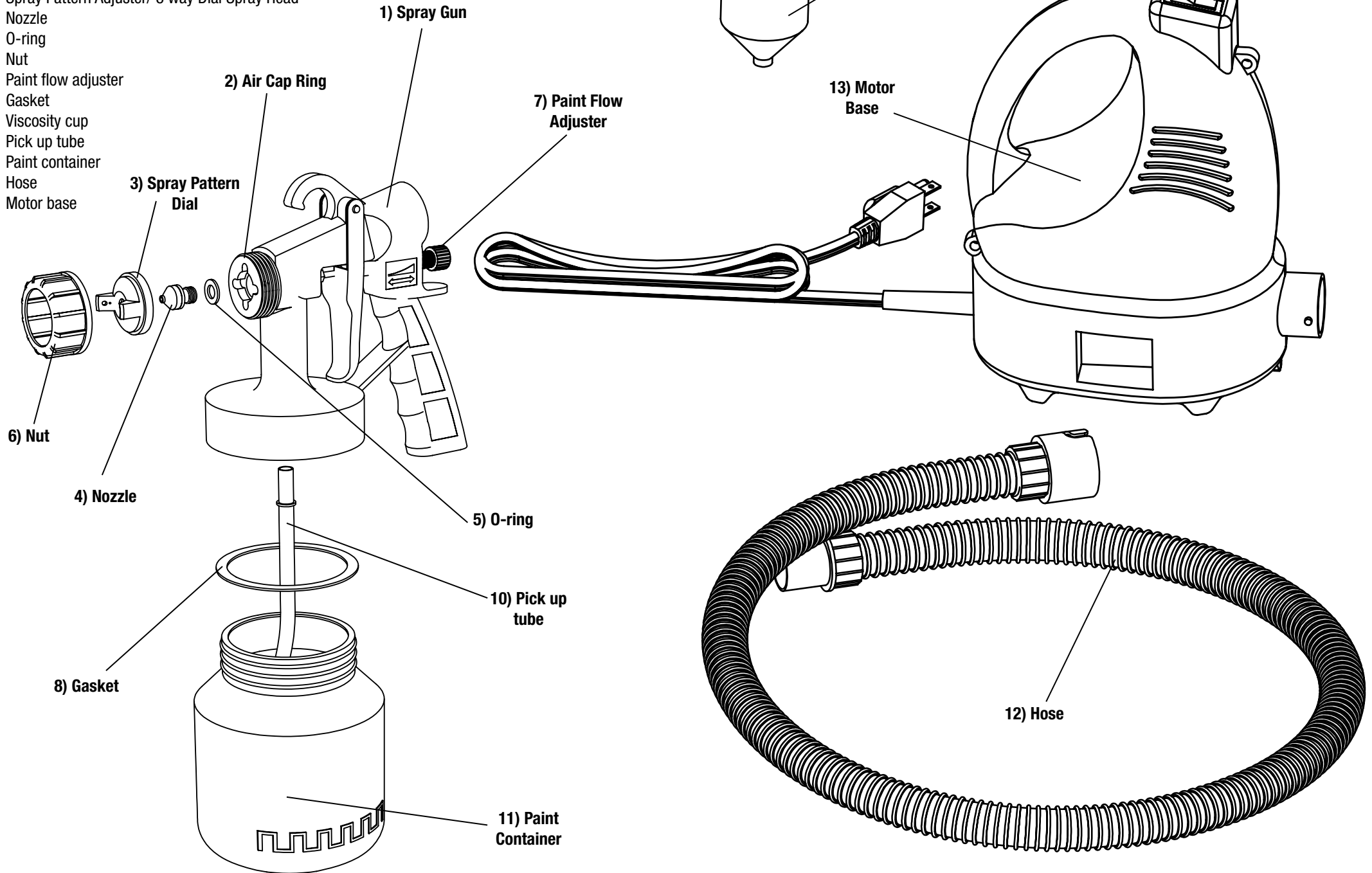
The Paint Zoom™ Deluxe unit has a polarized plug (one blade is wider than the other). This plug will fit in a polarized outlet only one way. If the plug does not fully fit in the outlet, reverse the plug. If it still does not fit, contact a qualified electrician to install the proper outlet. Do not change the plug in any way.

• DOUBLE INSULATED

The Paint Zoom™ Deluxe unit is a double-insulated appliance and as such, does not require three-way grounding. Servicing of double-insulated products requires extreme care and knowledge of the system, and should only be done by qualified service personnel.

PRODUCT COMPONENTS

1. Spray gun
2. Air cap ring
3. Spray Pattern Adjuster/ 3 way Dial Spray Head
4. Nozzle
5. O-ring
6. Nut
7. Paint flow adjuster
8. Gasket
9. Viscosity cup
10. Pick up tube
11. Paint container
12. Hose
13. Motor base



IMPORTANT: SELECTING PAINT

- Your Paint Zoom™ Deluxe unit can be used with a wide variety of paints, stains and coatings such as deck and fence stains, latex, sealers, varnishes, wood preservatives, enamels, oil and water-based paints and automotive paints.
- However, there are some materials that cannot be sprayed so please check with the recommendation of the manufacturer before buying the paint or other material. If the instructions refer to brush application only, then the material probably cannot be sprayed.

THIS UNIT CANNOT BE USED FOR TEXTURED PAINTS. USE OF THESE MATERIALS WILL CAUSE PREMATURE WEAR, WHICH WILL VOID YOUR WARRANTY. TO OBTAIN THE BEST RESULTS FROM YOUR PAINT ZOOM™ UNIT, PLEASE READ THE INSTRUCTIONS CAREFULLY.

⚠ HAZARD : HAZARDOUS VAPORS ⚠

PAINTS, SOLVENTS, INSECTICIDES, AND OTHER MATERIALS CAN BE HARMFUL IF INHALED OR COME IN CONTACT WITH THE BODY. VAPORS CAN CAUSE SEVERE NAUSEA, FAINTING, OR POISONING.

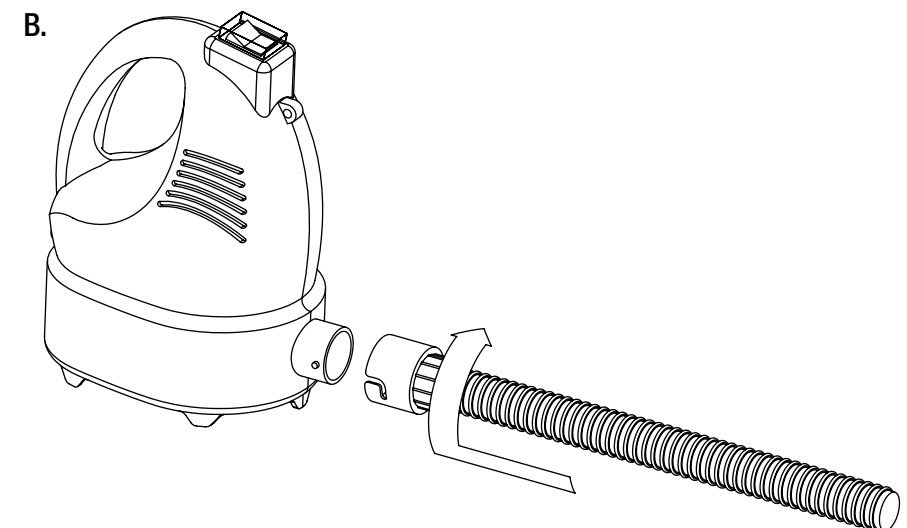
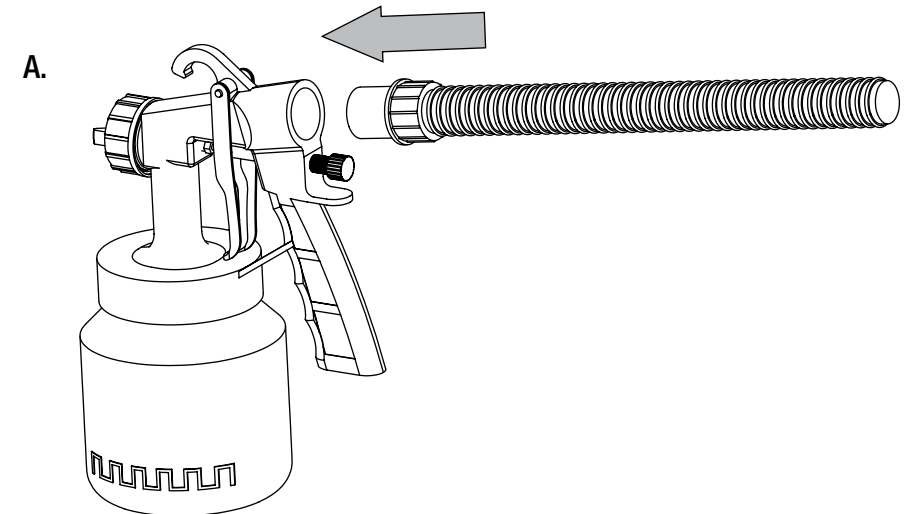
PREVENTION:

- Use a respirator or mask. Read all instructions supplied with the mask to be sure it will provide the necessary protection.
- Wear protective eyewear.
- Wear protective clothing as required by coating manufacturer.

UNIT SET UP

ATTACHING THE AIR HOSE

- Uncoil the air hose and attach one end to the back of the spray gun and the other end to the Paint Zoom™ unit. Insert the air hose tightly into the connections onto the spray gun **(A)** and the motor base **(B)**. The connections can be positioned as desired.



MATERIAL PREPARATION

- **Viscosity** is a technical term used to indicate if a liquid is thin or thick. Having the correct viscosity of paint is important to ensure the paint atomizes correctly and sprays well giving you a good quality finish. If your material is thin like water then the viscosity is said to be low, while if thick like latex interior paint, then viscosity is said to be high.
- You should always test the viscosity (or thickness) of paint before spraying to see if thinning is required. The correct viscosity is not too high or not too low and it is important to ensure the paint atomizes correctly and sprays evenly.

Before spraying, the material being used may need to be thinned with the proper solvent as specified by the material manufacturer. Follow the instructions below.

1. Stir the paint or other spraying material thoroughly before measuring the viscosity.
2. Dip the viscosity cup completely into the spraying material.
3. Hold the cup up and measure (in seconds) the time it takes to empty the liquid out of the cup. This time is referred to below as **RUN OUT TIME**. If the **RUN OUT TIME** is higher than indicated on the table on **Page 8**, refer to the instructions in the **THINNING** section on **Page 9**.

THINNING CHART

Material	Run out Time (Sec)
1) Oil enamel	25-40
2) Oil based primer	30-45
3) Oil stain	No thinning required
4) Clear sealer	No thinning required
5) Polyurethane	No thinning required
6) Varnish	20-50
7) Lacquer sanding sealer	25-35
8) Lacquer	25-35
9) Automotive finishes	20-40
10) Latex	45-50

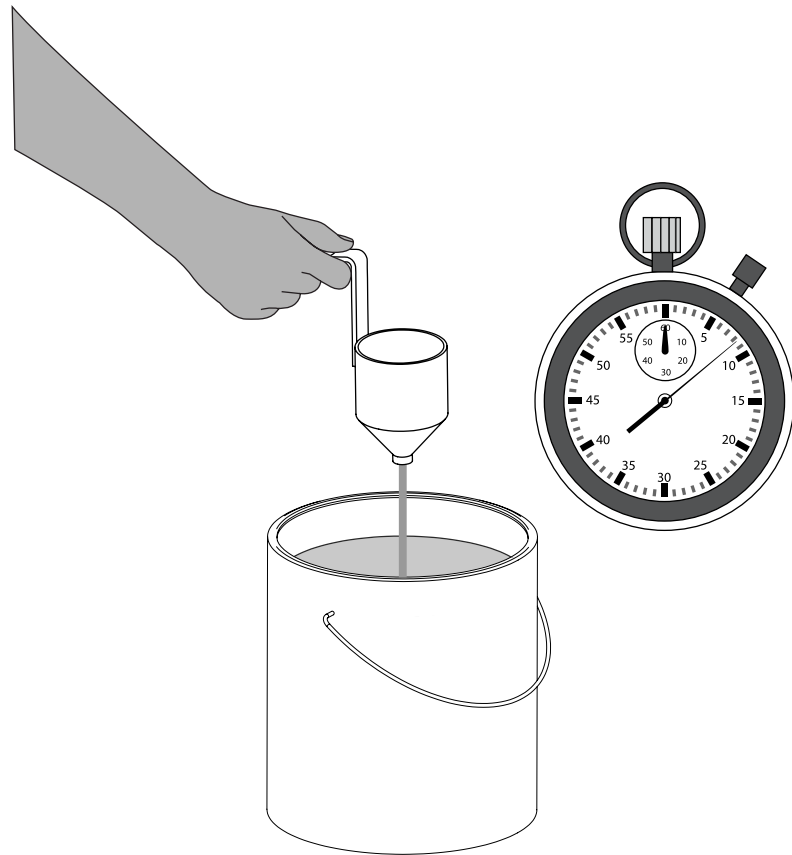
Material to be sprayed should always be strained to remove any impurities which may enter and clog the system. Impurities in the paint or other material will result in poor performance and a poor finish.

THINNING

Paint is “thinned” by adding the substance upon which the paint is based. If it is water-based paint then water is added; if oil based then mineral spirit or manufacturer’s recommended thinner is added. If the paint requires thinning, start with a 10% dilution of the paint. To do this, partially fill a container with one quart of paint. The viscosity cup supplied with the unit holds 1/10 of a quart. Block the hole in the viscosity cup with your finger and fill up with the required thinner. Add the thinner to the paint and stir, and re-measure the viscosity. If the paint requires additional thinning, repeat this step by adding 5% (5% will be equal to half a viscosity cup) with the required thinner until desired viscosity is achieved.

If mixing larger batches of paint, for instance a gallon, then add four viscosity cups of appropriate thinner which is approximately 10% of a gallon. If further thinning is required repeat by adding two viscosity cups (approximately 5% of a gallon) until desired viscosity is achieved.

Always follow the manufacturer’s guide for thinning in conjunction with a spray gun. If in doubt please contact the paint manufacturer.



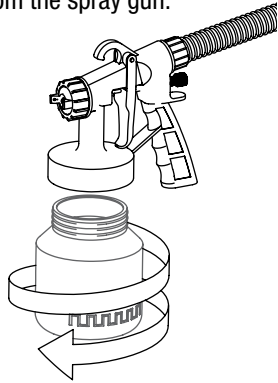
SURFACE & JOB PREPARATION

- With any job, you should always ensure that you have prepared your surface to get the best finish. You must ensure all surfaces are free from dust, dirt, rust and grease. Lightly pressure wash decks or exterior surfaces and ensure they are dry before painting.
- With pre-coated or pre-painted surfaces lightly rub down with sandpaper to ensure a good bond for the paint. With bare wood surfaces wipe a wet rag to ensure the surface is free of dust.
- Because some paints, lacquers, stains and other sprayable materials contain particles that are not fully dissolved, we recommend that you strain your material through either a funnel with a built-in filter, a paint strainer or through hosiery when filling the paint container. This will ensure that no large particles enter the paint container, preventing blockages and providing you with trouble-free spraying.
- Even though the Paint Zoom™ Deluxe system has very little over-spray it is recommended that you mask the edges and other areas and use a drop cloth to ensure that you protect those areas you wish to remain untouched.

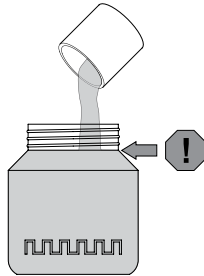
FILLING THE PAINT CONTAINER

Always make sure that the motor base is on a stable surface and free from dust and debris or other liquids.

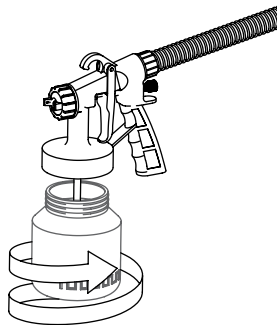
1. Unscrew the paint container from the spray gun.



2. After the material has been properly thinned and strained, fill the container to the top of the neck. **DO NOT OVERFILL** above the start of the threaded neck.



3. Push the pick-up tube firmly into the base of the gun body. Carefully screw the cup back onto the spray gun.



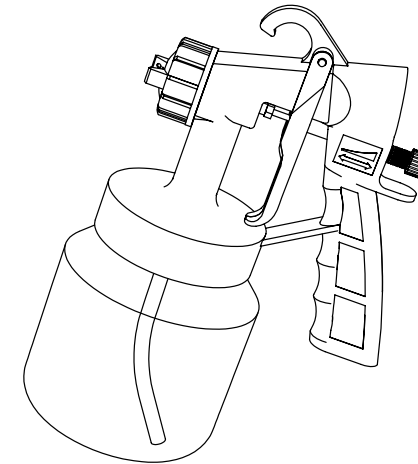
An airtight seal is essential for the correct operation of this spray gun. Before operating the unit please ensure that the paint container is securely fixed to the spray gun body and the gasket is in place.

ALIGNING THE SUCTION TUBE

- By pointing the suction tube in the proper direction, you will not have to refill the container as often.

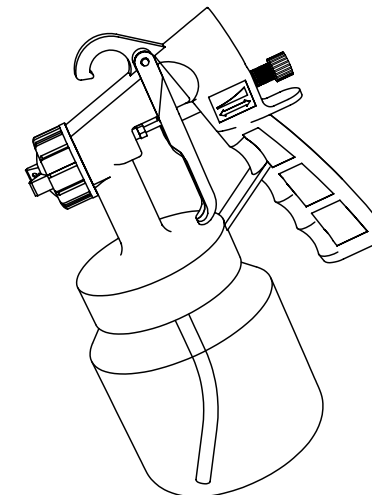
- A) If you are going to be spraying in an upward direction, the angled end of the suction tube should be pointing toward the rear of the gun.

A.



- B) If you are going to be spraying in a downward direction, the angled end of the suction tube should be pointing towards the front of the gun.

B.



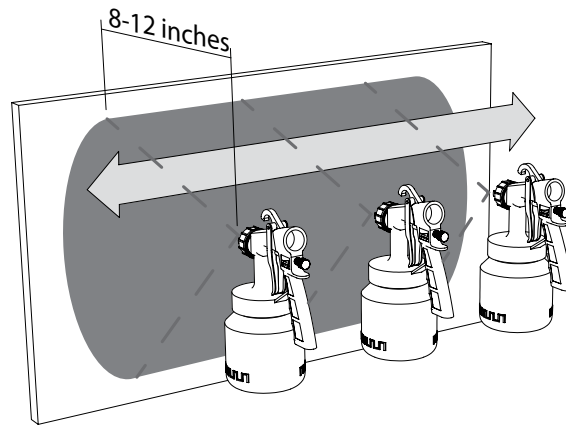
HOW TO SPRAY PROPERLY

⚠ **WARNING!** ⚠

NEVER trigger the gun while adjusting the ears on the spray pattern adjuster.

NEVER point the spray gun at yourself or any other person.

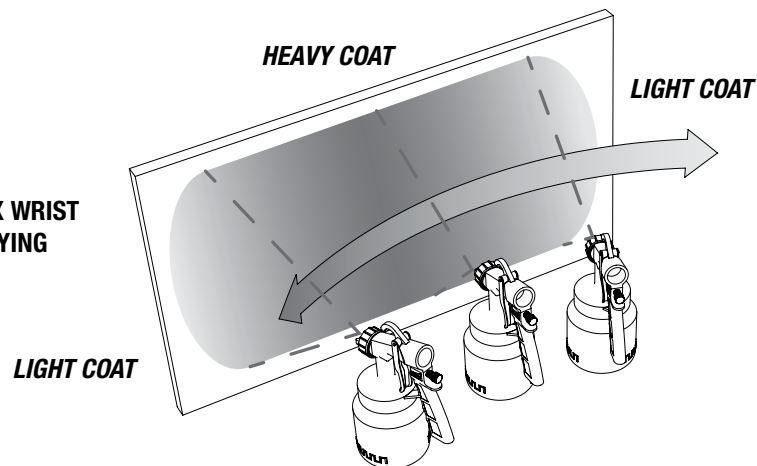
- Set the material volume by turning the regulator on the rear part of the spray gun.
- Position the spray gun perpendicular to and approximately 8 to 12 inches from the spray surface, depending upon the spray pattern size desired.
- Spray parallel to the surface with smooth passes at a consistent speed as illustrated below. Doing this will help avoid irregularities in the finish (i.e. runs and sags).
- Always apply a thin coat of material on the first pass and allow to dry before applying a second, slightly heavier coat.



EVEN COAT THROUGHOUT

CORRECT:
KEEP STROKE
SMOOTH AND AT
AN EVEN SPEED

- When spraying, always trigger the spray gun after spray pass has begun and release trigger before stopping the pass. The best results occur when making 20-inch passes. Always keep the gun pointed squarely at the spray surface and overlap passes slightly to obtain the most consistent and professional finish possible.



INCORRECT:
DO NOT FLEX WRIST
WHILE SPRAYING

LIGHT COAT

HEAVY COAT

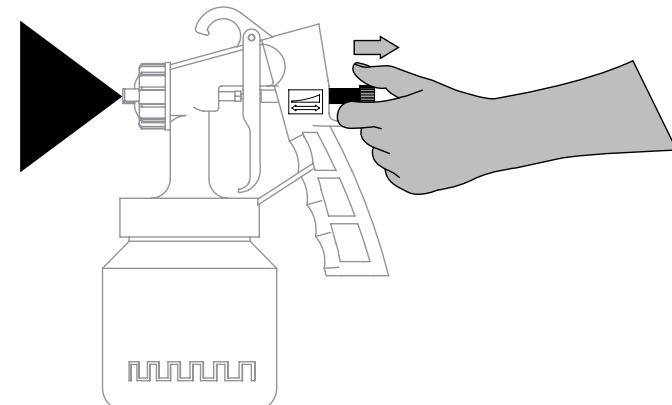
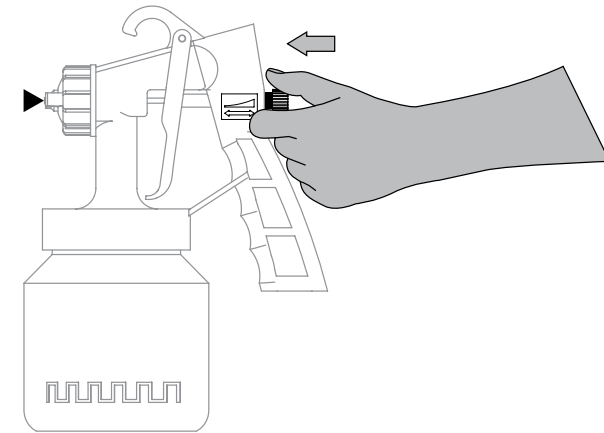
LIGHT COAT

STARTING TO SPRAY

ADJUSTING THE FLOW OF PAINT

We recommend you spend some time practicing on cardboard, newspaper or scrap wood to familiarize yourself with how the spray gun works and the flow rate (i.e. how fast the material will spray) before starting.

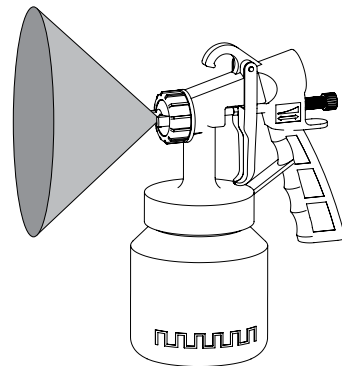
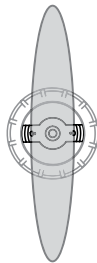
- Start with the paint **FLOW ADJUSTER** at its **minimum setting** so the trigger cannot be pulled. The paint flow adjuster controls the quantity of paint sprayed. Slowly increase the paint flow until the flow has reached a level you are comfortable with.



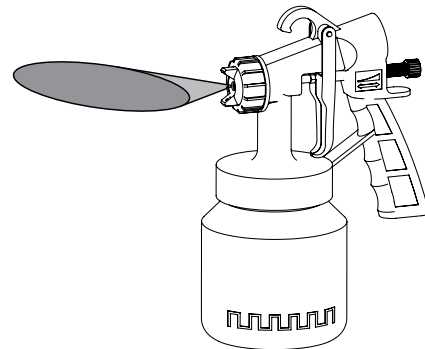
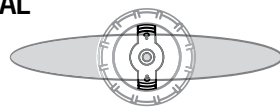
ADJUSTING SPRAY PATTERNS

- The gun has 3 spray patterns which can be changed by the spray pattern adjuster from a horizontal oval fan pattern to a round detailed pattern to a vertical fan pattern. When adjusting through patterns, you will notice the oval fan pattern width reduce and increase as it moves from horizontal to vertical positions. This is useful when you have particular size items you need to spray. For the round pattern, the maximum width you can spray is 8" and the minimum is 1".

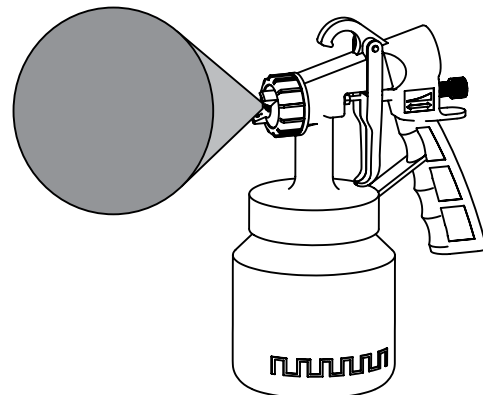
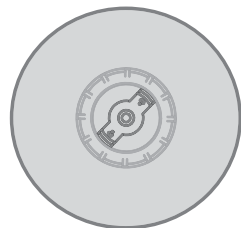
VERTICAL



HORIZONTAL



ROUND



TECHNIQUE

It is recommended you spend some time practicing on cardboard to familiarize yourself with how the spray gun works and the flow rate of the material. When spraying, always keep your arm at the same distance from the surface and avoid turning your wrist as this will help give you an even paint distribution. You should spray a maximum of 8" - 12" from a surface, this will give you your maximum spray width.

BE CAREFUL NOT TO APPLY TOO MUCH PAINT IN THE SAME AREA AS THIS WILL LEAD TO SAGS AND DRIPS— APPLYING LIGHT COATS IS ALWAYS BETTER UNTIL YOU GAIN CONFIDENCE AS YOU CAN ALWAYS GO BACK OVER WHAT YOU HAVE SPRAYED.

The most commonly used technique for painting a large surface is the 'crisscross' technique, i.e. you spray the paint in a horizontal strip and then cross over these strips by spraying the paint in vertical strips.

- 1) To achieve a horizontal strip, adjust to the horizontal position, then pull the trigger and move your arm up and down.
- 2) When you get to the end of the line, release the trigger for a moment and then spray in the opposite direction slightly overlapping the last strip.
- 3) Next, to achieve a vertical strip, adjust the spray direction plate to the horizontal position and then pull the trigger and move your arm up and down over the horizontal strips you just have sprayed, slightly overlapping the last strip you sprayed.

TOP TIPS

- Always test spray onto cardboard to set up the gun as the flow rate will vary dependant on what you are spraying.
- Evenly control the speed of movement of the spray gun. A fast speed will give a thin coat and a slow speed will give a heavy coat.
- If spraying small areas or objects, keep the paint flow dial low as this will avoid excessive use of paints and will minimize over-spray.
- Avoid stopping and starting when spraying a surface as this can lead to too much or not enough material on a surface.
- To ensure edges are covered, commence spraying just to the side or above/below the area being sprayed.
- If using a latex paint, regularly wipe the needle tip to ensure the airflow and paint flow are not restricted.
- Do not spray outside when humidity is above 60% or temperature is above 90° F or below 45°F.
- Watch our Paint Zoom™ Instructional video at: www.paintzoom.com/demovideo

CLEAN UP

⚠ WARNING! ⚠

SPECIAL CLEANUP INSTRUCTIONS FOR USE WITH FLAMMABLE SOLVENTS:

- Always flush spray gun, preferably outside, at a hose length from motor base.
 - Area must be free of flammable vapors.
 - Cleaning area must be well-ventilated.
- 1) Turn the motor base OFF.
 - 2) Trigger the spray gun so that the material inside the spray gun flows back into the container.
 - 3) Unscrew the container. Empty any remaining material back into the paint container.
 - 4) Pour a small amount of the appropriate cleaning solution into the cup (warm, soapy water for latex materials; mineral spirits for oil-based materials). Clean cup and properly dispose of cleaning solution.
 - 5) Pour a small amount of the appropriate cleaning solution into the cup.
 - 6) Attach the cup to the gun, turn on the motor base, spray the solution through the gun for 20 seconds in a safe area or until the solution looks clean. Properly dispose of remaining cleaning solution.
 - 7) Turn motor base OFF.
 - 8) Wipe the exterior of the cup and gun until clean.
 - 9) Unscrew the nut and remove the spray pattern dial and nozzle
 - 10) Clean the container, suction tube, spray pattern dial and nozzle with a cleaning brush and the appropriate cleaning solution.

⚠ CAUTION ⚠

Never clean nozzle or air holes in the spray gun with sharp metal objects.

TROUBLESHOOTING

ONE YEAR LIMITED WARRANTY

PROBLEM	CAUSE	SOLUTION
A. Little or no material flow	1) Nozzle clogged. 2) Suction tube clogged. 3) Material volume setting turned too far to the right (-). 4) Suction tube loose. 5) Material is too thick. 6) Inconsistent paint. 7) Container is loose.	1) Clean. 2) Clean. 3) Turn to the left (+). 4) Insert. 5) Check viscosity. 6) Strain paint. 7) Tighten the container.
B. Material leaking	1) Nozzle loose. 2) Nozzle worn. 3) Nozzle seal worn. 4) Material build-up on spray pattern dial and nozzle	1) Tighten. 2) Replace. 3) Replace. 4) Clean.
C. Atomization is too coarse	1) Viscosity of material too high. 2) Material volume too large. 3) Nozzle clogged. 4) Too little pressure build-up in container.	1) Thin. 2) Turn to the right (-). 3) Clean. 4) Tighten container.
D. Spray jet pulsates	1) Material in container running out. 2) Material is too thick.	1) Refill. 2) Check viscosity.
E. Pattern runs or sags	1) Applying too much material.	1) Adjust material flow or increase movement of spray gun.
F. Too much over-spray	1) Gun too far from spray object. 2) Too much material applied.	1) Reduce distance. 2) Turn material volume setting to right (-).
G. Pattern is very light and splotchy.	1) Moving the spray gun too fast.	1) Adjust material flow or decrease movement of spray gun.
G. Large cloud of paint.	1) Gun too close to surface	1) Move gun away from surface and reduce paint flow.

Your Paint Zoom™ multifunction paint sprayer is warranted to be free from defects in materials and workmanship for one year from the original purchase date. Should the product have a defect in materials or workmanship, we will repair or replace it without charge to you (a shipping and processing fee may apply). To obtain service under warranty, simply call our **Customer Service Center toll-free at 1.800.793.2303**.

This warranty does not cover damage caused by accident, misuse or any use other than as intended and described in this owner's guide, or damage resulting from failure to maintain and clean this product as specified in this owner's guide. This warranty applies only to the original purchaser of the Paint Zoom™ unit.

ALL EXPRESS AND IMPLIED WARRANTIES FOR THIS PRODUCT, INCLUDING IMPLIED WARRANTIES OF MERCHANTABILITY AND FITNESS FOR A PARTICULAR PURPOSE, ARE LIMITED IN DURATION TO THE WARRANTY PERIOD, AND NO WARRANTIES, WHETHER EXPRESS OR IMPLIED, WILL APPLY AFTER THIS PERIOD.

Some states do not allow limitations on the duration of implied warranties, so the above limitation may not apply to you. While this warranty gives you specific legal rights, you may also have other rights which may vary from state to state.

CONTACT INFO FOR WARRANTY SERVICE:

Paint Zoom™
 P.O. Box 9159 | Van Nuys, CA | 91409-8291
 800-793-2303 | www.paintzoom.com

© 2010 Paint Zoom, LLC. All Rights Reserved.
 Patents pending worldwide.

ARBITRATION AGREEMENT

THIS ARBITRATION AGREEMENT ("AGREEMENT") AFFECTS YOUR LEGAL RIGHTS AND REMEDIES BY PROVIDING THAT DISPUTES BETWEEN YOU AND THE SELLER OF THIS PRODUCT ("COMPANY"), MUST BE RESOLVED THROUGH BINDING ARBITRATION, RATHER THAN IN A COURT. PLEASE READ THIS AGREEMENT CAREFULLY. YOU ACCEPT THE TERMS OF THIS AGREEMENT BY RETAINING THE PRODUCT(S) SHIPPED IN CONNECTION WITH THIS AGREEMENT (THE "PRODUCT") FOR MORE THAN FOURTEEN (14) DAYS AFTER RECEIPT. IF YOU DO NOT AGREE TO THE TERMS OF THIS AGREEMENT, YOU MAY RETURN THE PRODUCT TO COMPANY WITHIN FOURTEEN (14) DAYS OF RECEIPT AT NO COST TO YOU.

RESOLUTION OF CLAIMS OR DISPUTES.

Any claim or dispute between you and Company (or any of Company's subsidiaries or affiliates) arising out of or relating in any way to the Product or this Agreement shall be resolved through final, binding arbitration. This arbitration obligation applies regardless of whether the claim or dispute involves a tort, fraud, misrepresentation, product liability, negligence, violation of a statute, or any other legal theory. Both you and Company specifically acknowledge and agree that you waive your right to bring a lawsuit based on such claims or disputes and to have such lawsuit resolved by a judge or jury.

LIMITATION OF LEGAL REMEDIES.

All arbitrations under this Agreement shall be conducted on an individual (and not a class-wide) basis, and an arbitrator shall have no authority to award class-wide relief. You acknowledge and agree that this Agreement specifically prohibits you from commencing arbitration proceedings as a representative of others or joining in any arbitration proceedings brought by any other person.

ARBITRATION PROCEDURES.

- a. Before commencing any arbitration proceedings under this Agreement, you must first present the claim or dispute to Company by calling 818-217-2500 and asking for the Legal Department and allowing Company the opportunity to resolve the claim or dispute. If your claim or dispute is not resolved within sixty (60) days, you may commence arbitration proceedings in accordance with the terms of this Agreement.
- b. The arbitration of any claim or dispute under this Agreement shall be conducted pursuant to the American Arbitration Association's ("AAA") United States Commercial Dispute Resolution Procedures and Supplementary Procedures for Consumer-Related Disputes. These rules and procedures are available by calling the AAA or by visiting its web site at www.adr.org.
- c. The arbitration of any claim or dispute under this Agreement shall be conducted in the State of California or the location in which you received this Agreement.
- d. All administrative expenses of arbitration proceedings commenced under this Agreement shall be divided equally between you and Company, except that: (a) if the claim or dispute that is the subject of the arbitration proceedings is less than ten thousand dollars (US\$10,000), you will be responsible for no more than one hundred twenty-five dollars (US\$125) in administrative expenses; (b) if the claim or dispute that is the subject of the arbitration proceedings is more than ten thousand dollars (US\$10,000) but less than seventy-five thousand dollars (US\$75,000), you will be responsible for no more than three hundred seventy-five dollars (US\$375) in administrative expenses; and (c) if the claim or dispute that is the subject of the arbitration proceedings is more than seventy-five thousand dollars (US\$75,000), then you will be responsible for administrative expenses in accordance with the Commercial Fee Schedule provided by the AAA. You acknowledge and agree that each party shall pay the fees and costs of its own counsel, experts and witnesses.

CHOICE OF LAW.

This Agreement shall be governed by the United States Federal Arbitration Act and the laws of the State of California.

SEVERABILITY.

If any provision of this Agreement is declared or found to be unlawful, unenforceable or void, such provision will be ineffective only to the extent that it is found unlawful, unenforceable or void, and the remainder of the provision and all other provisions shall remain fully enforceable.

